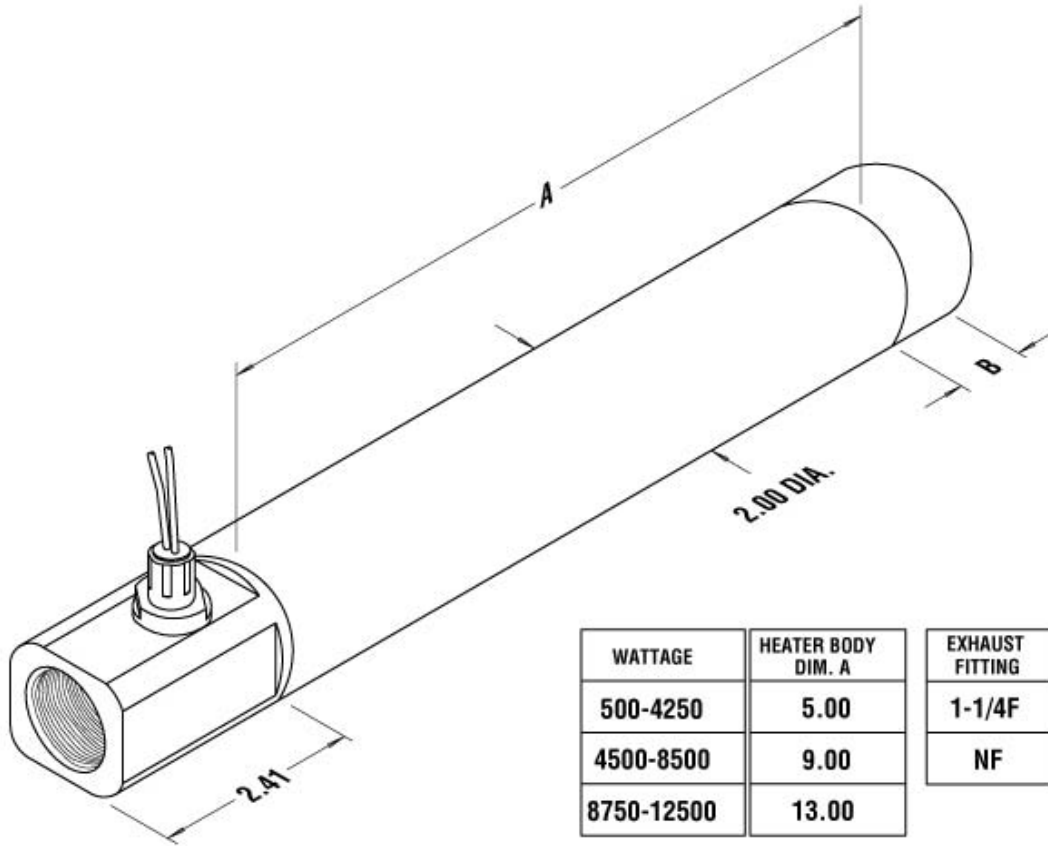


Heat Torch 200



WATTAGE	HEATER BODY DIM. A	EXHAUST FITTING	DIM. B
500-4250	5.00	1-1/4F	1.13
4500-8500	9.00	NF	0.10
8750-12500	13.00		