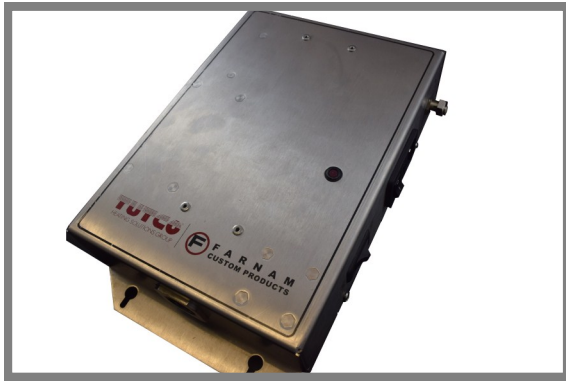


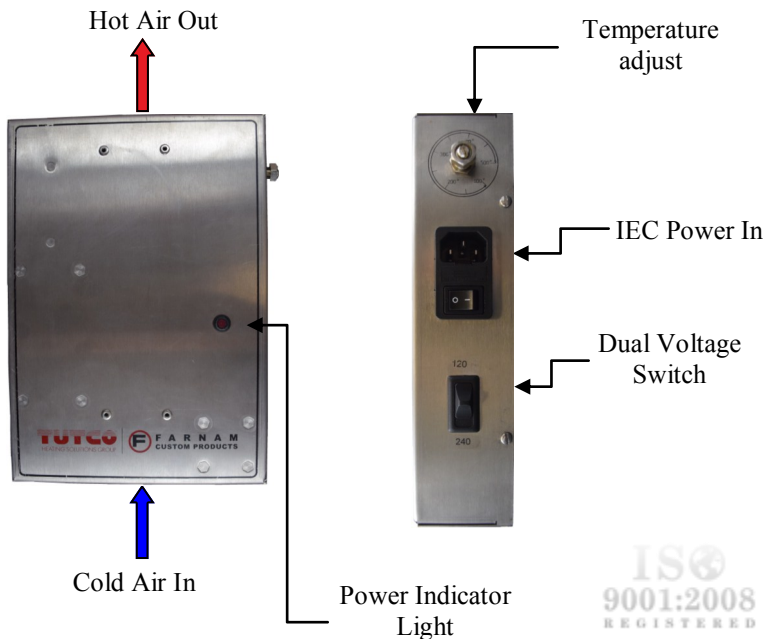
# T<sub>PC</sub>-CASH



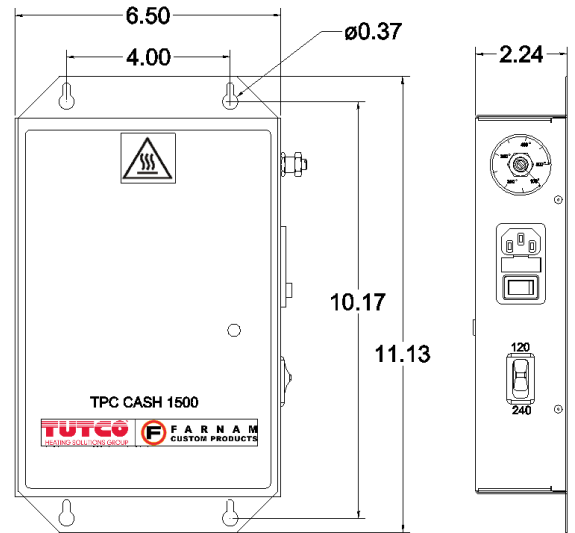
# 1500

- The TPC-CASH1500 compressed air heating system is a 1.5kW Cool Touch™ heater + adjustable temperature control + flow switch + high-limit thermostat protection + solid-state relay packaged in a convenient wall-mountable steel enclosure.
- This very unique product takes the guesswork out of process heating applications which require a moderate amount of wattage and have 120V or 240V power available.
- The heater commonly handles airflows of 25 to 30 SCFM and pressures up to 120 psig. Output temperature is potentiometer adjustable from 100°F (38°C) to 500°F (260°C) depending upon airflow.

- |                     |                |                |
|---------------------|----------------|----------------|
| Automotive Painting | Heat Staking   | Metallization  |
| Adhesive Activation | Sterilization  | Hopper Drying  |
| Air Drying          | Web Drying     | Heat Shrinking |
| Solder Removal      | Plastic Curing |                |



## Dimensions



## Specifications

Wattage:	1.5kW
Power:	120V/240V, single phase
Fittings:	1/2" NPT Female
Mounting:	Vertical or horizontal
Heater Body:	Stainless Steel
Enclosure:	Stainless Steel

## Flow vs. Pressure Drop

Airflow (SCFM)	Pressure Drop (psig)
5	0.15
10	0.25
15	0.4
20	0.7
25	1.25
30	3.32
35	5.89
40	8.46
45	13.04
50	17.63

ISO  
9001:2008  
REGISTERED

**TUTCO**  
HEATING SOLUTIONS GROUP

**FARNAM**  
CUSTOM PRODUCTS

[www.farnam-custom.com](http://www.farnam-custom.com)

Ph: (828) 684-3766 • Fax: (828) 684-3768

Revised 10/22/15