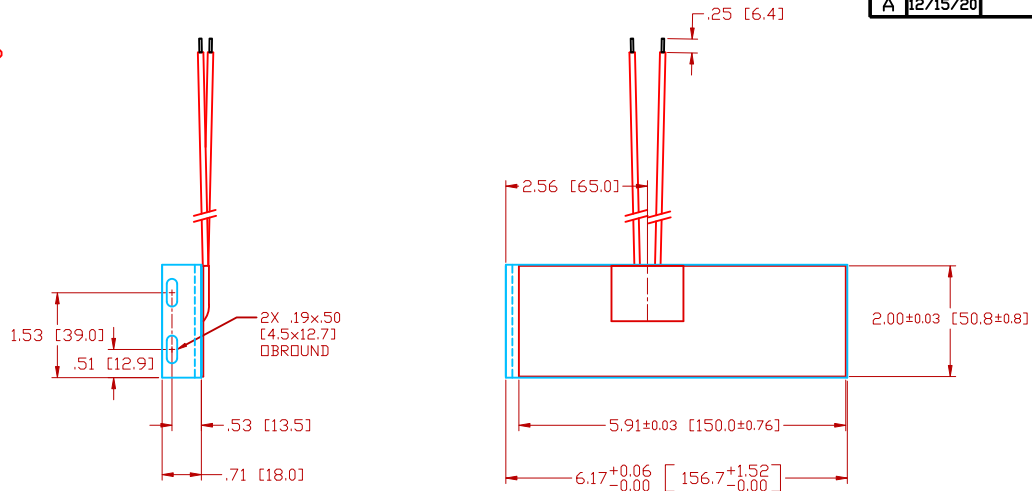


CONTROLLED

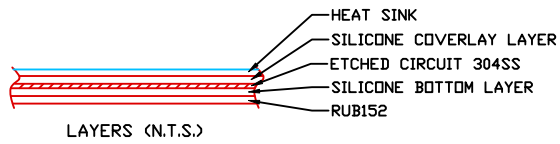


MARK

.118 [3.0]

2 DIGIT DATE CODE CHARTS
(EXAMPLE: 2017 MAY = FJ)

Year	Year Code	Month	Month Code
2017	F	January	A
2018	H	February	B
2019	J	March	F
2020	K	April	H
2021	L	May	J
2022	P	June	K
2023	S	July	N
2024	T	August	P
2025	V	September	S
		October	T
		November	W
		December	X



- RECOMMEND WORKING TEMPERATURE NOT TO EXCEED 200 DEG C
- HI-POT AT 1300V, 1 SEC, NO FLASHOVER & BREAKDOWN, CURRENT LEAKAGE = <5mA MAX.
- HEATER SHALL BE UL & CSA COMPONENT RECOGNIZED & CONFORM TO RoHS STD.
- COLD RESISTANCE: 192 OHMS +/-7.5%

NOTES: 1. HEATER RATED AT: 75W 120V

REV.	DATE	DESCRIPTION	REV'D BY	APPV'D BY
A	12/15/20	NEW RELEASE		JGS

FILE: SHF0075-120-0103A

<p>CONFIDENTIAL</p> <p>THIS DOCUMENT CONTAINS PROPRIETARY INFORMATION OF FARMAN CUSTOM PRODUCTS (AND ITS RECEIPT OR POSSESSION DOES NOT CONVEY ANY RIGHTS TO REPRODUCE, DISCLOSE ITS CONTENTS, OR TO MANUFACTURE, USE, OR SELL ANYTHING IT MAY DESCRIBE). REPRODUCTION, DISCLOSURE, OR USE WITHOUT SPECIFIC WRITTEN AUTHORIZATION OF FARMAN CUSTOM PRODUCTS IS STRICTLY FORBIDDEN.</p>	<p>THIRD ANGLE PROJECTION</p>	<p>TUTCO FARMAN CUSTOM PRODUCTS</p> <p>P.O. BOX 1377 ARDEN, NC 28704</p> <p>PH: (828) 684-3766 FX: (828) 684-3768</p>	
	<p>ALL DIMENSIONS ARE IN INCHES UNLESS OTHERWISE SPECIFIED.</p> <p>SCALE: 1:1</p> <p>DO NOT SCALE DIMS.</p> <p>TOLERANCES XX = ±.00 XXX = ±.005 ANGLES ±.04°</p>		<p>CUSTOMER: FCP</p> <p>TITLE: SR FLEX HEATER W/BRK - FH-00085</p> <p>DWG NO: SHF0075-120-0103</p>
<p>APPV'D BY: J. SAIN</p>	<p>DWG BY: MFT</p>	<p>DATE: 12/15/20</p>	<p>REV: A</p> <p>SHT. 1 OF 1</p> <p>SIZE: A</p>