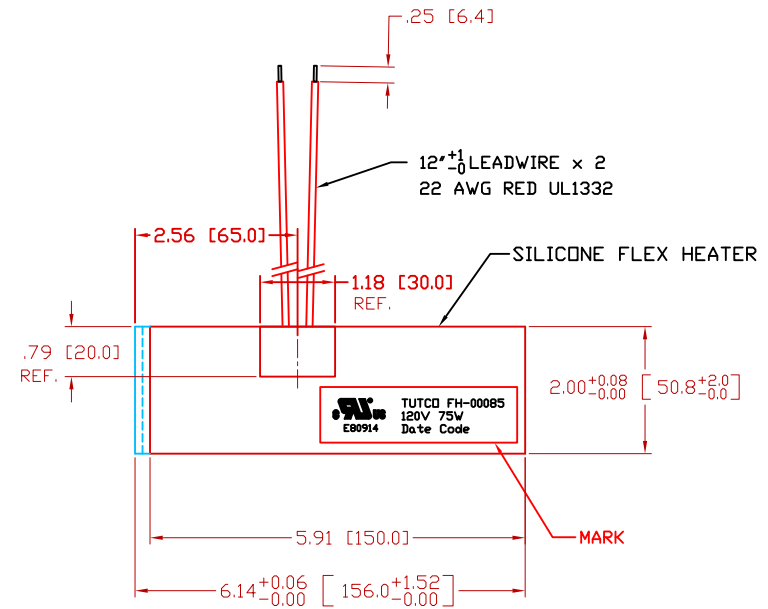
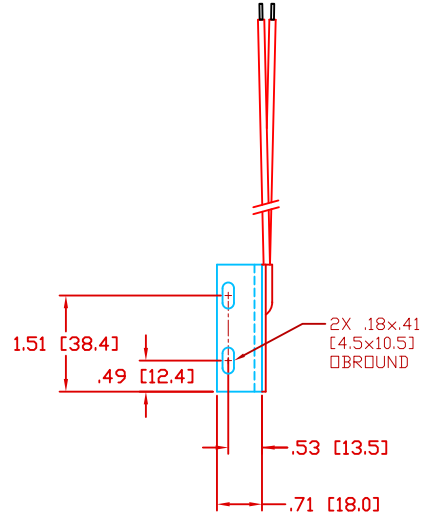
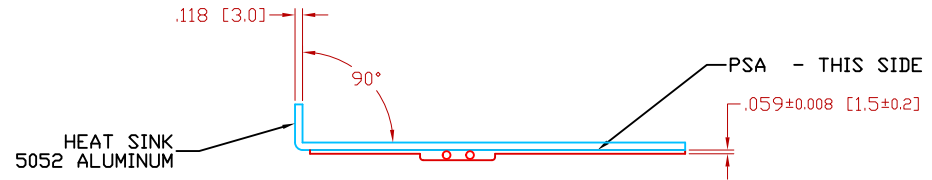


REV.	DATE	DESCRIPTION	REV'D BY	APPV'D BY
A	11/02/16	NEW RELEASE		DED
B	03/06/17	DELETE NOTE 5&6; ADJUST TOLERANCES	MFT	DED

CONTROLLED



7. RECOMMEND WORKING TEMPERATURE NOT TO EXCEED 150 DEG C
6. DELETED
5. DELETED
4. HI-POT AT 1300V, 1 SEC, NO FLASHOVER & BREAKDOWN, CURRENT LEAKAGE = <5mA MAX.
3. HEATER SHALL BE UL & CSA COMPONENT RECOGNIZED & CONFORM TO RoHS STD.
2. COLD RESISTANCE: 192 OHMS +/-7.5%
- NOTES: 1. HEATER RATED AT: 75W 120V

FILE: SFH0075-120-0102B

CONFIDENTIAL THIS DOCUMENT CONTAINS PROPRIETARY INFORMATION OF FARNAM CUSTOM PRODUCTS (AND ITS RECEIPT OR POSSESSION DOES NOT CONVEY ANY RIGHTS TO REPRODUCE, DISCLOSE ITS CONTENTS, OR TO MANUFACTURE, USE, OR SELL ANYTHING IT MAY DESCRIBE). REPRODUCTION, DISCLOSURE, OR USE WITHOUT SPECIFIC WRITTEN AUTHORIZATION OF FARNAM CUSTOM PRODUCTS IS STRICTLY FORBIDDEN.	THIRD ANGLE PROJECTION 	 FARNAM CUSTOM PRODUCTS P.O. BOX 1377 ARDEN, NC 28704 PH: (828) 684-3766 FX: (828) 684-3768
	ALL DIMENSIONS ARE IN INCHES, UNLESS OTHERWISE SPECIFIED. SCALE: 1:1 DO NOT SCALE DWG.	MATERIAL: VARIES
TOLERANCES XX = ±.040 XXX = ±.020 ANGLES ±1/2°	TITLE: FLEX HEATER - FH00085 DWG. NO. SFH0075-120-0102 REV. B	APPV'D BY: D. DIEPHOLZ DWN BY: MFT DATE: 11/02/16 SHT. 1 OF 1 SIZE: A