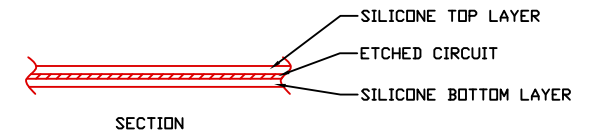
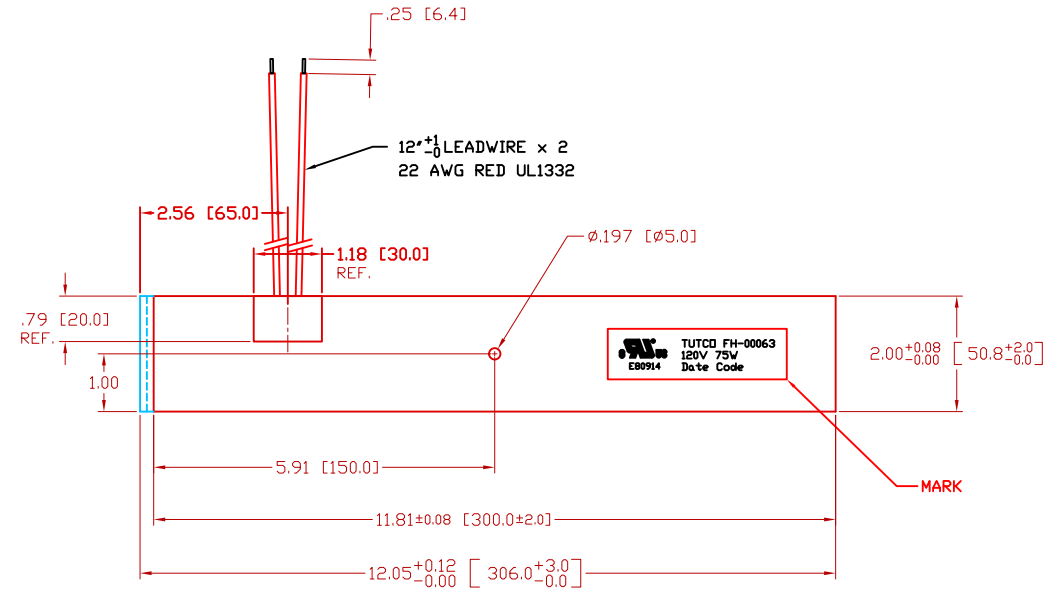
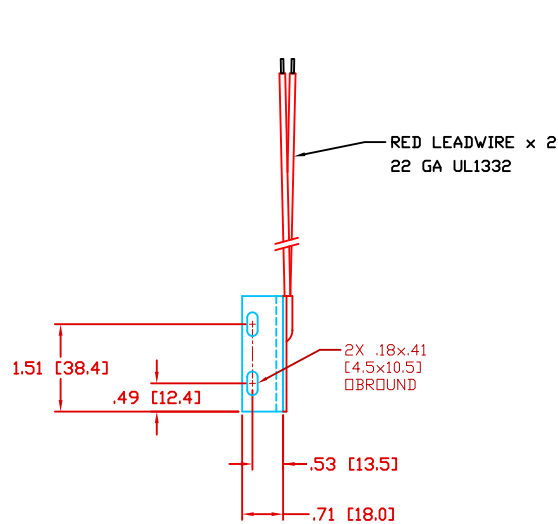
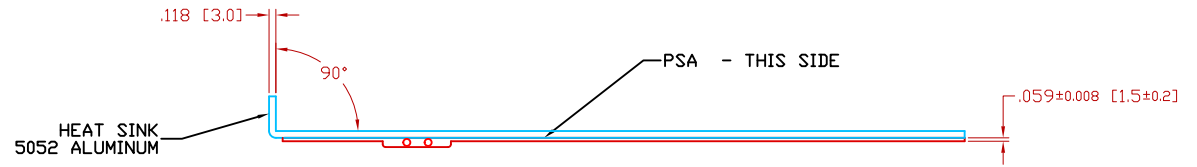


CONTROLLED

REV.	DATE	DESCRIPTION	REV'D BY	APPV'D BY
A	11/02/16	NEW RELEASE		DED
B	03/06/17	DELETE NOTE 5&6; ADJUST TOLERANCES	MFT	DED



7. WORK TEMPERATURE NOT TO EXCEED 150 DEG C
6. DELETED
5. DELETED
4. HI-POT AT 1300V, 1 SEC, NO FLASHOVER & BREAKDOWN, CURRENT LEAKAGE = < 5mA MAX.
3. HEATER SHALL BE UL & CSA COMPONENT RECOGNIZED & CONFORM TO RoHS STD.
2. COLD RESISTANCE: 192 OHMS +/- 7.5%

NOTES: 1. HEATER RATED AT: 75W 120V

FILE: SFH0075-120-0101B

<p>CONFIDENTIAL</p> <p>THIS DOCUMENT CONTAINS PROPRIETARY INFORMATION OF FARNAM CUSTOM PRODUCTS (AND ITS RECEIPT OR POSSESSION DOES NOT CONVEY ANY RIGHTS TO REPRODUCE, DISCLOSE ITS CONTENTS, OR TO MANUFACTURE, USE, OR SELL ANYTHING IT MAY DESCRIBE). REPRODUCTION, DISCLOSURE, OR USE WITHOUT SPECIFIC WRITTEN AUTHORIZATION OF FARNAM CUSTOM PRODUCTS IS STRICTLY FORBIDDEN.</p>	<p>THIRD ANGLE PROJECTION</p>	<p>F</p> <p>FARNAM CUSTOM PRODUCTS</p> <p>P.O. BOX 1377 ARDEN, NC 28704 PH: (828) 684-3766 FX: (828) 684-3768</p>		
	<p>ALL DIMENSIONS ARE IN INCHES, UNLESS OTHERWISE SPECIFIED.</p> <p>SCALE: 1:1 DO NOT SCALE DWG.</p>	<p>MATERIAL: VARIES</p>		
	<p>TOLERANCES XX = ±.040 XXX = ±.020 ANGLES > 1/2°</p>	<p>TITLE: FLEX HEATER - FH00063</p> <p>DWG. NO. SFH0075-120-0101</p>		
<p>APPV'D BY: D. DIEPHOLZ</p>	<p>DWN BY: MFT</p>	<p>DATE: 11/02/16</p>	<p>SHT: 1 OF 1</p>	<p>SIZE: A</p>