

HEAT TORCH™



Shown with optional inlet & exhaust fittings

HT 150

- The Heat Torch™ 150 heating element is contained in a 1.5" diameter stainless steel pipe.
- The Heat Torch™ 150 inline heater comes in two sizes. The 4.7" long heater body accommodates ratings from 500 to 2500 watts (with standard power increments of 250 watts). The 8.3" long heater body handles ratings of 2750 to 5000 watts (with standard power increments of 500 watts).
- Heat Torch™ 150 has allowable compressed air flow ranging from 4.8 to 70 SCFM. Maximum air input temperature is 250° F (121°C) with 1300°F (704°C) maximum output temperature. Standard inlet fitting is 1/2" NPT female. Standard outlet fittings include 1/4", 1/2", and 1" female NPT fittings or no exhaust fitting.
- Heat Torch™ 150 is designed for high reliability, long life, and substantial air flow. Applications include staking, curing, drying, heat-shrinking, sterilization, adhesive activation, air scrubbing, and air knives.

Wattage & Voltage Options

120V, single phase, 0.5kW-2.5kW
 240V, single phase, 0.5kW-5.0kW
 240V, three phase, 2.25kW-5.0kW
 480V, three phase, 5.0kW

Other Options

Thermocouple Fitting
 Thermocouple
 Flexible Conduit

Fitting Options

Inlet Fitting:
 1/2F- 1/2" FNPT

Exhaust Fitting:
 1/4F- 1/4" FNPT
 1/2F- 1/2" FNPT
 1F- 1" FNPT
 NF- No Fitting

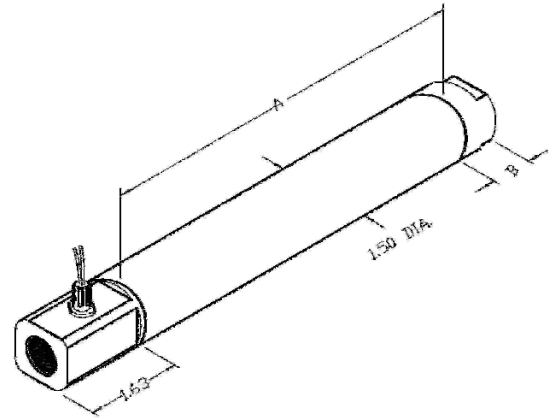
Specifications

Category:	Inline Heaters, Process Heaters, Open Coil Heaters
Max. wattage:	5.0kW
Max. exhaust air temp.:	1300°F
Max. inlet air temp.:	250°F
(consult factory for higher inlet temp.)	
Max. SCFM:	70
Pressure Rating:	120 psig
Mounting:	Horizontal/Vertical
Leads:	14 gauge (12" long)
Heater Body:	Stainless Steel
Inlet Fitting:	Stainless Steel
Exhaust Fitting:	Stainless Steel



Wattage	Min. SCFM Req.
0.5kW	4.8
1.0kW	4.8
1.5kW	4.8
2.0kW	4.8
2.5kW	5.3
3.0kW	6.6
3.5kW	7.9
4.0kW	9.3
4.5kW	10.8
5.0kW	12.4

Airflow (SCFM)	0.5kW-2.5kW Pressure Drop (psig)	2.75kW-5.0kW Pressure Drop (psig)
5	0.30	0.59
10	0.60	1.2
20	1.1	2.2
30	2.5	5.0
40	4.4	8.8
50	6.9	14.0
60	9.9	20.0
70	13.0	27.0



Wattage	Heater Body Dim. A	Exhaust Fitting	Dim. B
0.5kW-2.5kW	4.70	1/4F	0.83
2.75kW-5kW	8.31	1/2F	0.87
		1F	0.88
		NF	0.06

Part Number Key

HT150	500	120	1	1/2F	1/4F	TF1	(XXX)
Heat Torch 150	Wattage	Voltage	Phase	Inlet Fitting	Exhaust Fitting	Thermocouple Fitting	Modification



www.farnam-custom.com