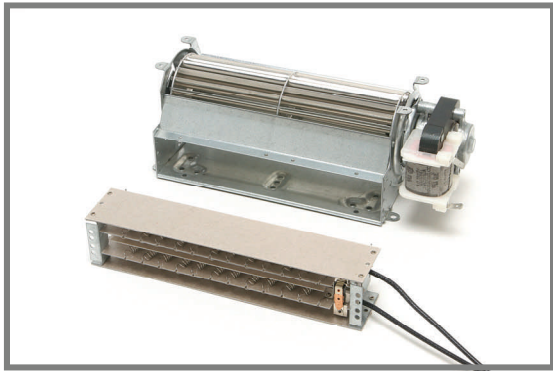


CROSSFLOW BLOWER HEATER



Shown with blower for clarity only

CB

- Developed for maximum design flexibility, Crossflow Blower Heaters (CB Series) utilize multi purpose mounting brackets attaching directly to the exhaust of a Crossflow blower without the need for additional accessories. Extra mounting holes make it possible for the heater to function as a stand-alone duct heater.
- Single and dual wattage, and/or dual voltage combinations are available. Integrated thermal fuses and/or hi-limit thermostats are available to provide over-temperature protection.
- Crossflow Blower Heaters are tailored to meet your specific heating requirements. We match size, wattage, and voltage to meet your specifications for optimal system performance.
- Crossflow Blower Heaters are available in 5", 7", 10", and 12" standard lengths.

Wattage Options

5.5"- 0.15kW-1.50kW
 7.91"- 0.15kW-2.25kW
 10.32"- 0.25kW-3.5kW
 12.72"- 0.25kW-4.5kW

Voltage Options

5.5"- 120V, 240V
 7.91"- 120V (1.5kW max), 240V
 10.32"- 120V (2.0kW max), 240V
 12.72"- 120V (2.5kW max), 240V

Over-temperature Cutout

X- Thermostat not required
 1A- 65°C (149°F)
 1B- 70°C (158°F)
 1C- 80°C (176°F)
 1D- 85°C (185°F)
 1E- 90°C (194°F)
 1F- 100°C (212°F)
 1G- 120°C (248°F)
 1H- 130°C (266°F)

Thermal Fuse

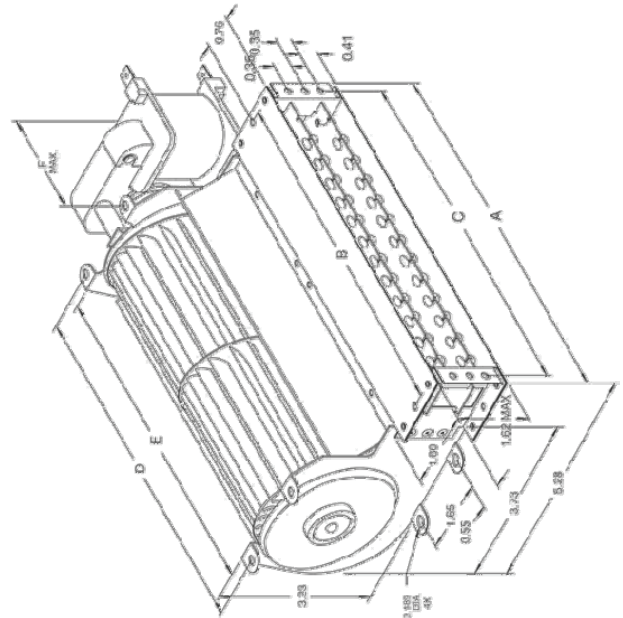
X- Fuse not required
 D- 93°C (199°F)
 F- 104°C (219°F)
 H- 117°C (243°F)
 K- 128°C (262°F)
 L- 152°C (306°F)
 M- 184°C (363°F)
 N- 192°C (377°F)
 R- 229°C (444°F)

Note: If thermostat is specified it must be used in conjunction with a thermal fuse.

Note: Fuse set-point is a minimum of 25°C above thermostat set-point or routine temperature spike.

Turn to view

Blower P/N	120V P/N 970	120V P/N 972 240V P/N 974	120V P/N 976 240V P/N 978	120V P/N 982
Blower CFM	75	100	125	150
F Blower Motor	2.95"	2.95"	2.95"	2.95"
E Blower Opening	4.76"	7.12"	9.53"	11.93"
D Blower Mount Holes	5.21"	7.57"	9.98"	12.38"
C Heater Mount Holes 0.137 O.D. 6X	5.30"	7.66"	10.07"	12.47"
B Heater Mount Holes 0.100 O.D. 4X	5.20"	7.56"	9.97"	12.37"
A Heater Width	5.55"	7.91"	10.32"	12.72"
Heater Size	5"	7"	10"	12"



Part Number Key

CB	250	120	1A	D	5	M	6	D	970
Crossflow Blower Heater	Wattage	Voltage	Thermostat	Fuse	Heater Dimension	Termination	Lead Length	Mounting Brackets	Blower



www.farnam-custom.com

Ph: (828) 684-3766 • Fax: (828) 684-3768

Revised 5/26/2010