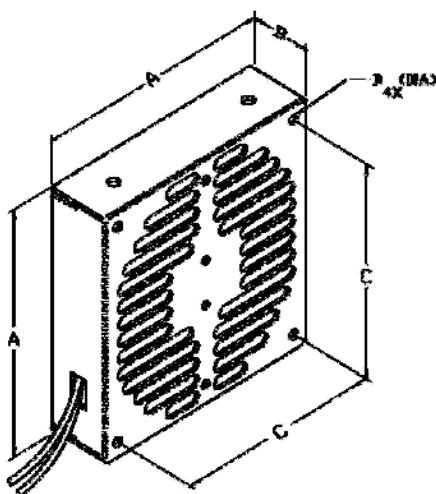


A XIAL FAN HEATER



AF20

- Axial Fan Heaters (Series AF20) mount directly to square axial fans. The AF20 heater housing uses the same mounting holes and functions as a guard for both heaters and fans. (Fans available separately.)
- Axial Fan Heaters are available in several sizes with a broad range of wattages and custom features. They are ideal for drying, curing and warming applications typically found in film processing, lab, and medical instruments.
- The Axial Fan Heaters are UL recognized components under UL file number E154979; both in Canada and the U.S..



| Size | Dim. A | Dim. B | Dim. C | Dim. D |
|------|--------|--------|--------|--------|
| 2.4 | 2.34 | 1.25 | 1.97 | .166 |
| 3.1 | 3.125 | 1.25 | 2.81 | .188 |
| 4.7 | 4.68 | 1.25 | 4.125 | .188 |

Wattage Options

2.4"- 15W-175W
 3.1"- 50W-450W
 4.7"- 50W-800W

Voltage Options

2.4"- 12V, 24V, 48V, 120V
 3.1"- 120V, 240V
 4.7"- 120V, 240V

Over-temperature Cutout

X- Thermostat not required
 1A- 65°C (149°F)
 1B- 70°C (158°F)
 1C- 80°C (176°F)
 1D- 85°C (185°F)
 1E- 90°C (194°F)
 1F- 100°C (212°F)
 1G- 120°C (248°F)
 1H- 130°C (266°F)
 1J- 150°C (302°F)
 1K- 160°C (320°F)
 1L- 170°C (338°F)

Note: If thermostat is specified it must be used in conjunction with a thermal fuse.

Thermal Fuse

X- Fuse not required
 D- 93°C (199°F)
 F- 104°C (219°F)
 H- 117°C (243°F)
 K- 128°C (262°F)
 L- 152°C (306°F)
 M- 184°C (363°F)
 N- 192°C (377°F)
 R- 229°C (444°F)

Note: Fuse set-point is a minimum of 25°C above thermostat set-point or routine temperature spike.

Part Number Key

| AF20 | 50 | 120 | 1A | D | 10 | 4.7 | (XXX) |
|------------------|---------|---------|------------|------|-------------|------------------|--------------|
| Axial Fan Heater | Wattage | Voltage | Thermostat | Fuse | Lead Length | Heater Dimension | Modification |

