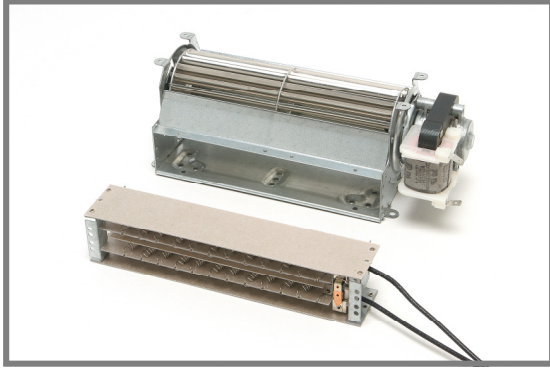


CROSSFLOW BLOWER HEATER

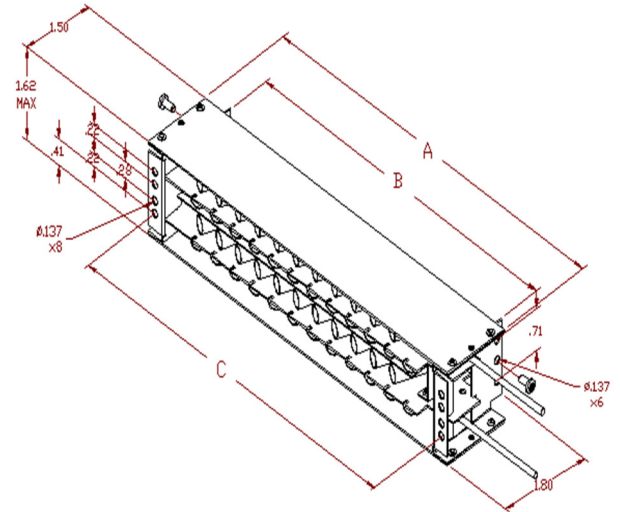


CB

Shown with blower for clarity only

- Developed for maximum design flexibility, Crossflow Blower Heaters (CB Series) utilize multi purpose mounting brackets attaching directly to the exhaust of a Crossflow blower without the need for additional accessories. Extra mounting holes make it possible for the heater to function as a stand-alone duct heater.
- Single and dual wattage, and/or dual voltage combinations are available. Integrated thermal fuses and/or hi-limit thermostats are available to provide over-temperature protection.
- Crossflow Blower Heaters are tailored to meet your specific heating requirements. We match size, wattage, and voltage to meet your specifications for optimal system performance.
- Crossflow Blower Heaters are available in 5", 7", 10", 12" and 15" standard lengths and are recognized components under UL file E154979

Heater Size	A Heater Width	B Heater Mount Holes 0.100 O.D. 4X	C Heater Mount Holes 0.137 O.D. 6X
5"	5.55"	5.20"	5.30"
7"	7.91"	7.56"	7.66"
10"	10.32"	9.97"	10.07"
12"	12.72"	12.37"	12.47"
15"	14.98"	14.63"	14.73"



Wattage Options	
5.5"	0.15kW-1.50kW
7.91"	0.15kW-2.25kW
10.32"	0.25kW-3.5kW
12.72"	0.25kW-4.5kW
14.98"	0.25kW- 5kW

Voltage Options	
5.5"	120V, 208V, 240V
7.91"	120V (1.5kW max), 208V, 240V
10.32"	120V (2.0kW max), 208V, 240V
12.72"	120V (2.5kW max), 208V, 240V
14.98"	120V (2.5kW max), 208V (4.5kW max), 240V

Over-temperature Cutout	
X	Thermostat not required
1A	65°C (149°F)
1B	70°C (158°F)
1C	80°C (176°F)
1D	85°C (185°F)
1E	90°C (194°F)
1F	100°C (212°F)
1G	120°C (248°F)
1H	130°C (266°F)
1J	150°C (302°F)

Thermal Fuse	
X	Fuse not required
D	93°C (199°F)
F	104°C (219°F)
H	117°C (243°F)
K	128°C (262°F)
L	152°C (306°F)
M	184°C (363°F)
N	192°C (377°F)
R	229°C (444°F)

Note: Fuse set-point is a minimum of 25°C above thermostat set-point or routine temperature spike.

Part Number Key

CB	250	120	1A	D	5	M	6	D
Crossflow Blower Heater	Wattage	Voltage	Thermostat	Fuse	Heater Dimension	Termination	Lead Length	Mounting Brackets

Note: Optional thermostat is an auto-reset high limit safety device designed to protect against overheating. Not intended for temperature regulation

