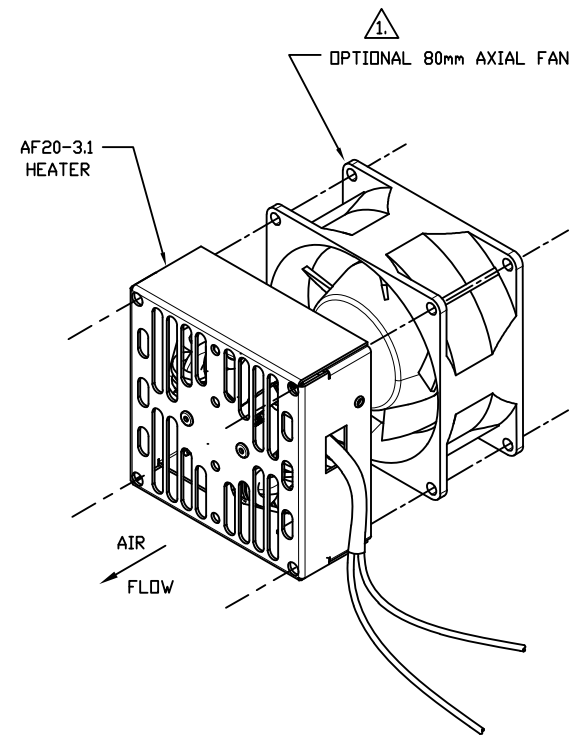
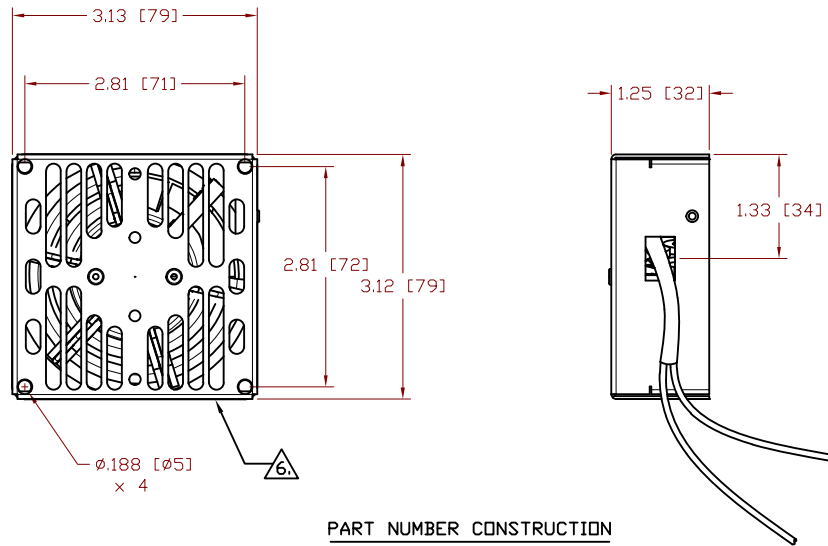
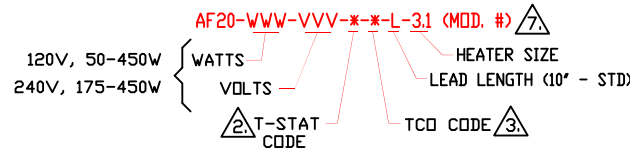


REV.	DATE	DESCRIPTION	APP'D	CHK'D
A	03/11/15	WEBSITE RELEASE	RLB	DED
B	01/15/16	ADDED DC APPLICATION NOTE	RLB	DED
C	01/09/17	CHANGE NOTE 2, REMOVE UNAVAILABLE 160C, 170C TSTATS	DED	DED



PART NUMBER CONSTRUCTION



- ⁷ OPTIONAL MODIFICATION NUMBER IS ASSIGNED FOR CUSTOM CONFIGURATION.
- ⁶ HOUSING IS .040" THK ALUMINUM PAINTED BLACK.
- 5. AF20-3.1 IS UL COMPONENT RECOGNIZED (E154979).
- 4. IF INCLUDED IN UNIT, USERS MUST DETERMINE THE SUITABILITY OF HIGH LIMIT THERMOSTAT AND/OR TCO INTENDED APPLICATION. THOROUGH TESTING BY USER IS NECESSARY TO DETERMINE IF UNIT WILL OPERATE AS INTENDED. USER IS SOLELY RESPONSIBLE FOR THE FUNCTION OF THE END USE PRODUCT AND/OR APPLICATION.
- ³ OPTIONAL THERMAL CUT-OUT (TCO) IS A HIGH LIMIT SAFETY DEVICE DESIGNED TO PROTECT AGAINST OVER HEATING. IF OPENING TEMPERATURE IS REACHED THE TCO OPENS THE CIRCUIT AND THE HEATER REMAINS UNOPERATIONAL (ONE SHOT). IT IS RECOMMENDED TO SELECT A TCO OPENING TEMPERATURE AT LEAST 25C ABOVE THERMOSTAT OPENING TEMPERATURE (IF USED) OR 25C ABOVE HIGHEST TRANSIENT TEMPERATURE SEEN IN NORMAL OPERATION.
- ² OPTIONAL THERMOSTAT IS A HIGH LIMIT SAFETY DEVICE DESIGNED TO PROTECT AGAINST OVERHEATING. DO NOT USE FOR TEMPERATURE REGULATION. THERMOSTAT WILL AUTOMATICALLY RESET WHEN THERMOSTAT HAS COOLED TO 25C BELOW OPENING TEMPERATURE. IT IS RECOMMENDED TO SELECT AN OPENING TEMPERATURE 25C ABOVE HIGHEST TRANSIENT TEMPERATURE SEEN IN NORMAL OPERATION. THIS THERMOSTAT IS NOT SUITABLE FOR DC APPLICATIONS.

NOTES: ¹ AF20-3.1 WILL MOUNT TO MOST 80mm AXIAL FANS USING SAME MOUNTING HOLES.

THERMOSTAT CODE	THERMAL CUTOUT CODE
X- NO T-STAT	X- NO FUSE
1A- 65°C (149°F)	D- 93°C (199°F)
1B- 70°C (158°F)	F- 104°C (219°F)
1C- 80°C (176°F)	H- 117°C (243°F)
1D- 85°C (185°F)	K- 128°C (262°F)
1E- 90°C (194°F)	L- 152°C (306°F)
1F- 100°C (212°F)	M- 184°C (363°F)
1G- 120°C (248°F)	N- 192°C (377°F)
1H- 130°C (266°F)	R- 229°C (444°F)
1J- 150°C (302°F)	

<p>CONFIDENTIAL</p> <p>THIS DOCUMENT CONTAINS PROPRIETARY INFORMATION OF FARNAH CUSTOM PRODUCTS AND ITS RECEIPT OR POSSESSION DOES NOT CONVEY ANY RIGHTS TO REPRODUCE, DISCLOSE ITS CONTENTS, OR TO MANUFACTURE, USE, OR SELL ANYTHING IT MAY DESCRIBE. REPRODUCTION, DISCLOSURE, OR USE WITHOUT SPECIFIC WRITTEN AUTHORIZATION OF FARNAH CUSTOM PRODUCTS IS STRICTLY FORBIDDEN.</p> <p>APP'D BY: D. DIEPHDLZ</p>		<p>P.O. BOX 1377 ARDEN, NC 28704 PH: (828) 684-3766 FX: (828) 684-3768</p>
	<p>ALL DIMENSIONS ARE IN INCHES, UNLESS OTHERWISE SPECIFIED.</p> <p>SCALE: 1:1 DO NOT SCALE DIMS.</p>	
<p>TOLERANCES: DEC = ±.01 DIMS = ±.005 ANGLES = ±.01</p>	<p>DWG. BY: MFT</p>	<p>DATE: 03/11/15</p>

AF20-3.1 ENV C