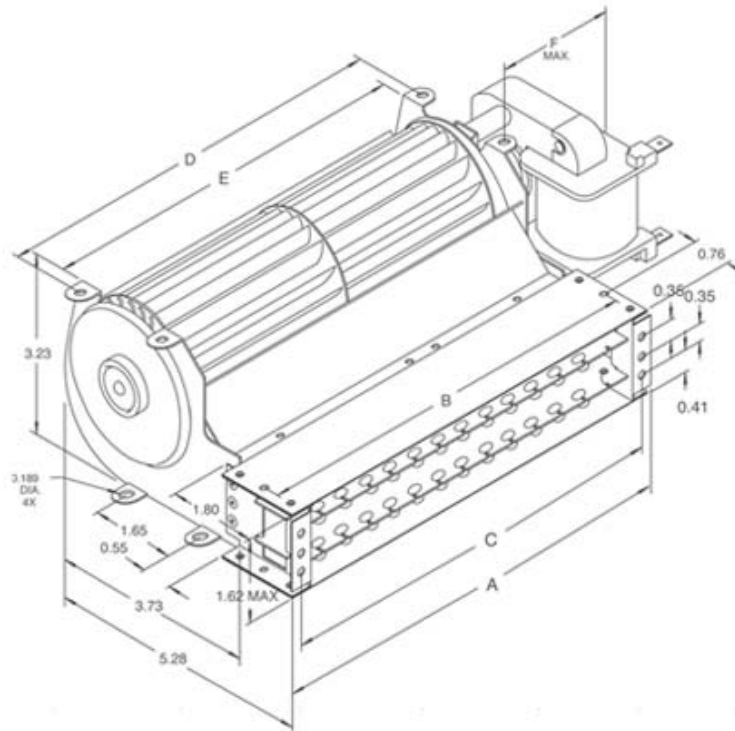


Crossflow Blower Heater



HEATER SIZE	A HEATER WIDTH	B HEATER MOUNTING HOLES 0.100 DIA. 4X	C HEATER MOUNTING HOLES 0.137 DIA. 6X	D BLOWER MOUNTING HOLES 0.125 DIA. 4X	E BLOWER OPENING	F BLOWER MOTOR	G BLOWER CFMS	H BLOWER PART NUMBER
5"	5.55"	5.20"	5.30"	5.21"	4.76"	2.95"	75	120v ONLY P/N 970
7"	7.91"	7.56"	7.66"	7.57"	7.12"	2.95"	100	120V - P/N 972 240V - P/N 974
10"	10.32"	9.97"	10.07"	9.98"	9.53"	2.95"	125	120V - P/N 976 240V - P/N 978
12"	12.72"	12.37"	12.47"	12.38"	11.93"	2.95"	150	120V - P/N 982