

# HEAT TORCH™



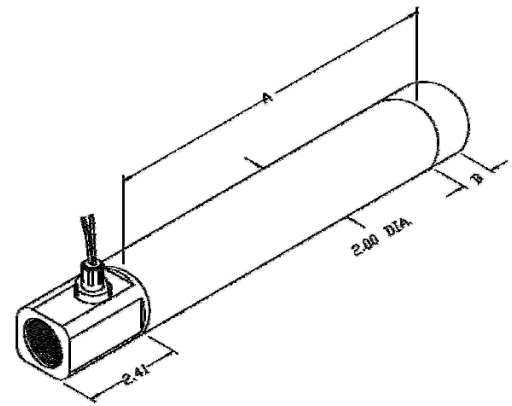
Shown with optional inlet & exhaust fittings

# HT200

- The Heat Torch™ 200 inline heater is engineered to satisfy the most demanding requirements. It is contained in a 2" diameter stainless steel pipe and is available in three sizes. The 5" long heater body is for power ratings from 1000 to 4250 watts (with power increments of 250 watts). The 9" long is for power ratings of 4500 to 8500 watts (with standard power increments of 500 watts). The 13" long heater is for power ratings from 9000 to 12500 watts (with standard power increments of 1000 watts).
- The Heat Torch™ 200 has an allowable air flow ranging from 9.6 to 100 SCFM. Maximum air input temperature is 250°F (121°C) with 1300°F (704°C) the maximum output temperature. Standard inlet fitting is a 1" NPT female. Standard outlets are 1 1/4" female NPT fitting or no exhaust fitting.

Wattage	Min. SCFM Req.
1.0kW	9.6
4.0kW	9.6
5.0kW	12.4
6.0kW	14.8
7.0kW	17.0
8.0kW	19.3
9.0kW	21.4
10.0kW	23.5
11.0kW	25.5
12.5kW	28.4

Airflow (SCFM)	0.5kW-4.25kW Pressure Drop (psig)	4.5kW-8.5kW Pressure Drop (psig)	8.75kW-12.5kW Pressure Drop (psig)
10	.36	.72	1.1
20	.75	1.5	2.3
30	1.7	3.4	5.1
40	3.0	6.0	9.0
50	4.7	9.4	14
60	6.8	14	20
70	9.2	18	28
80	12	24	36
90	15	30	45
100	19	38	57



### Wattage & Voltage Options

120V, single phase, 1.0kW-2.5kW  
 240V, single phase, 1.0kW-8.5kW  
 240V, three phase, 4.5kW-12.5kW  
 480V, single phase, 4.5kW-12.5kW  
 480V, three phase, 1.5kW-12.5kW

### Fitting Options

**Inlet Fitting:**  
 1F- 1" FNPT

**Exhaust Fitting:**  
 1 1/4F- 1 1/4" FNPT  
 NF- No Fitting

### Other Options

Thermocouple Fitting  
 Thermocouple  
 Flexible Conduit

Wattage	Heater Body Dim. A	Exhaust Fitting	Dim. B
1.0kW-4.25kW	5.0	1 1/4F	1.13
4.5kW-8.5kW	9.0	NF	0.10
8.75kW-12.5kW	13.0		

### Specifications

**Category:** Inline Heaters, Process Heaters, Open Coil Heaters

Max. wattage: 12.5kW  
 Max. exhaust air temp.: 1300°F  
 Max. inlet air temp.: 250°F  
 (consult factory for higher inlet temp.)  
 Max. SCFM: 100  
 Pressure Rating: 120 psig  
 Mounting: Horizontal/Vertical  
 Leads: 12 gauge (12" long)  
 Heater Body: Stainless Steel  
 Inlet Fitting: Stainless Steel  
 Exhaust Fitting: Stainless Steel



### Part Number Key

