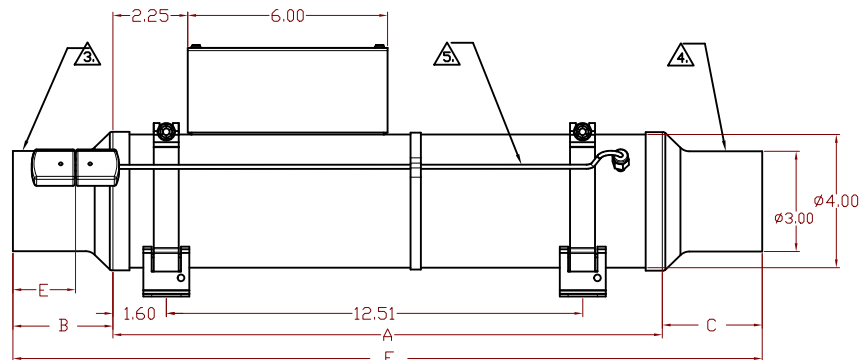
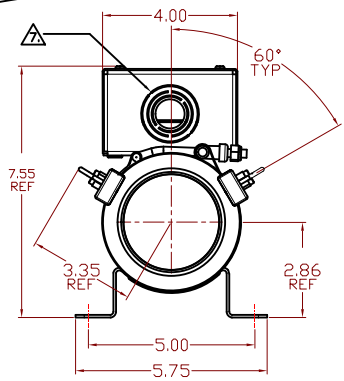
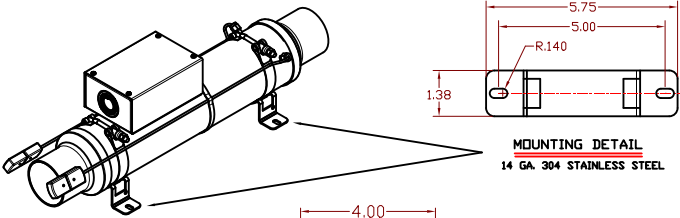
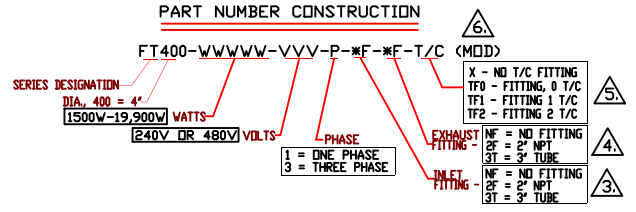


REV	DATE	DESCRIPTION	BY	APP'D
A	11/06/15	WEB SITE RELEASE	MD	
B	02/01/16	ADDED NOTES, REARRANGED, NEW TOLERANCE	RLB	DEF



INLET FITTING	A	B	EXHAUST FITTING	C	E
NF	16.5"	0	NF	0	1.12"
2F	16.5"	2.02"	2F	2.02"	-0.90"
3T	16.5"	3.0"	3T	3.00"	-1.88"

F = A + B + C



- ⚠️ KNOCKOUTS FOR VARIABLE CONDUIT SIZE OPTIONS: 1/2", 3/4", 1", 1-1/4"
- ⚠️ OPTIONAL MODIFICATION NUMBER IS ASSIGNED FOR CUSTOM CONFIGURATION.
- ⚠️ OPTIONAL TYPE K THERMOCOUPLE MAY BE INSTALLED (1 OR 2 PROBE CONFIGURATION AVAILABLE)
- ⚠️ EXHAUST FITTING OPTIONS ARE: 2F, 3T OR NO-FITTING. EXHAUST FITTINGS ARE MADE FROM 303 OR 304 STAINLESS STEEL.
- ⚠️ INLET FITTING OPTIONS ARE: 2F, 3T OR NO FITTING. INLET FITTINGS ARE MADE FROM 303 OR 304 STAINLESS STEEL.

2. LEADWIRE IS 12 GA. BLACK 600V 200C UL1199 STANDARD 14" LEAD TERMINATES IN JUNCTION BOX

NOTES: 1. FT400 SHORT TYPICALLY USED WITH CLEAN DRY AIR SUPPLY

<b>CONFIDENTIAL</b>	THIRD ANGLE PROJECTION		P.O. BOX 1377 ARDEN, NC 28704 PH: (828) 684-3766 FX: (828) 684-3768
THIS DOCUMENT CONTAINS PROPRIETARY INFORMATION OF FARMAN CUSTOM PRODUCTS AND ITS RECEIPT OR POSSESSION DOES NOT CONVEY ANY RIGHTS TO REPRODUCE, DISCLOSE ITS CONTENTS, OR TO MANUFACTURE, USE, OR SELL ANYTHING IT MAY DESCRIBE. REPRODUCTION, DISCLOSURE OR USE WITHOUT SPECIFIC WRITTEN AUTHORIZATION OF FARMAN CUSTOM PRODUCTS IS STRICTLY FORBIDDEN.	ALL DIMENSIONS ARE IN INCHES, UNLESS OTHERWISE SPECIFIED. SCALE: 1:1 DO NOT SCALE DIMS.	F A R M A N Custom Products	TITLE: FT400 SHORT 3T-3T-TF2 DWG. NO.: FT400 SHORT DATE: 11/06/15 SHEET 1 OF 1
APP'D BY: M. DULKEN	DWN BY: MFT		REV: A