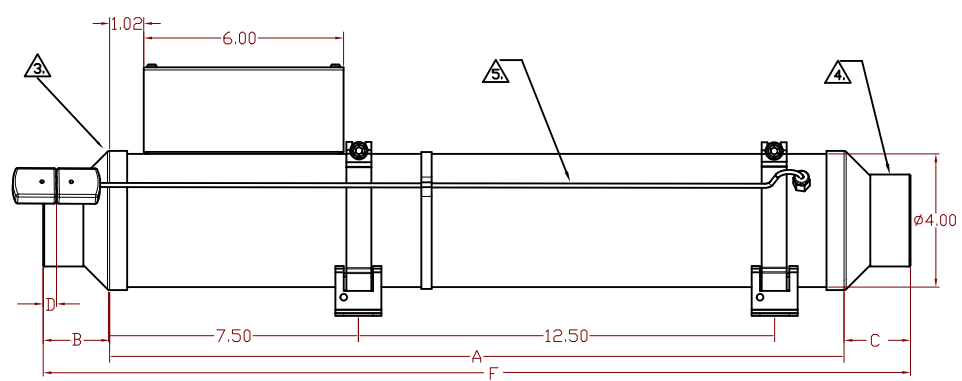
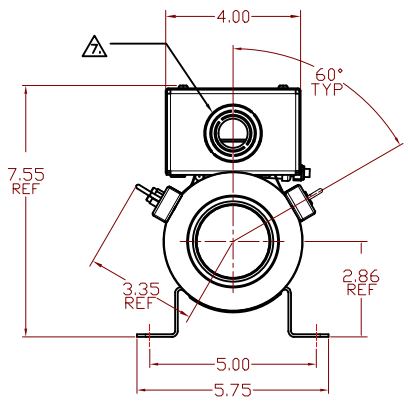
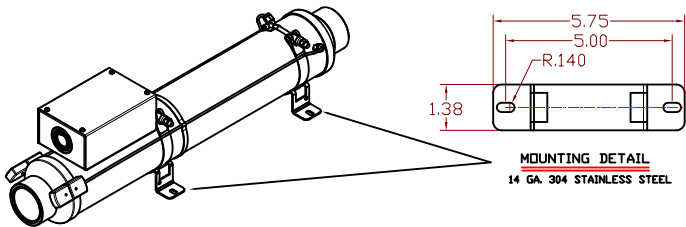
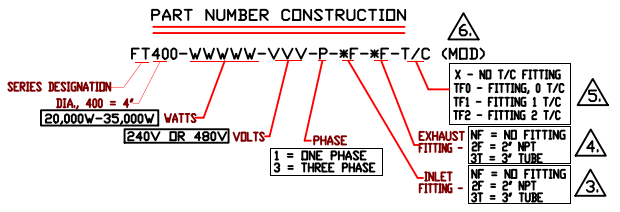


REV	DATE	DESCRIPTION	BY	APP'D
A	11/09/15	WEB SITE RELEASE		MD
B	02/01/16	TEXT EDITS, ADDITIONAL NOTES, REARRANGED	RLB	DEF



INLET FITTING	A	B	EXHAUST FITTING	C	D
NF	22.0"	0	NF	0	1.62"
2F	22.0"	2.02"	2F	2.02"	-0.40"
3T	22.0"	3.00"	3T	3.00"	-0.38"

$F = A + B + C$



- ⚠️ KNOCKOUTS FOR VARIABLE CONDUIT SIZE OPTIONS: 1/2", 3/4", 1", 1-1/4"
- ⚠️ OPTIONAL MODIFICATION NUMBER IS ASSIGNED FOR CUSTOM CONFIGURATION.
- ⚠️ OPTIONAL TYPE K THERMOCOUPLE MAY BE INSTALLED (1 or 2 PROBE CONFIGURATION AVAILABLE)
- ⚠️ EXHAUST FITTING OPTIONS ARE: 2F, 3T OR NO-FITTING
EXHAUST FITTINGS ARE MADE FROM 303 OR 304 STAINLESS STEEL
- ⚠️ INLET FITTING OPTIONS ARE: 2F, 3T OR NO FITTING
INLET FITTINGS ARE MADE FROM 303 OR 304 STAINLESS STEEL

<p>CONFIDENTIAL</p> <p>THIS DOCUMENT CONTAINS PROPRIETARY INFORMATION OF FARMAN CUSTOM PRODUCTS (AND ITS RECEIPT OR POSSESSION DOES NOT CONVEY ANY RIGHTS TO REPRODUCE, DISCLOSE ITS CONTENTS, OR TO MANUFACTURE, USE, OR SELL ANYTHING IT MAY DESCRIBE). REPRODUCTION, DISCLOSURE OR USE WITHOUT SPECIFIC WRITTEN AUTHORIZATION OF FARMAN CUSTOM PRODUCTS IS STRICTLY FORBIDDEN.</p> <p>APP'D BY: M. DULKEN</p>	<p>THIRD ANGLE PROJECTION</p> <p>ALL DIMENSIONS ARE IN INCHES, UNLESS OTHERWISE SPECIFIED.</p> <p>SCALE: 1:1 DO NOT SCALE DIMS.</p>	<p>P.O. BOX 1377 ARDEN, NC 28704 PH: (828) 684-3766 FX: (828) 684-3768</p> <p>F A R M A N Custom Products</p>
	<p>TOLERANCES XX = ±.00 XXX = ±.005 ANGLES 24/2°</p>	

2. LEADWIRE IS 12 GA. BLACK 600V 200C UL1199
STANDARD 14" LEAD TERMINATES IN JUNCTION BOX

NOTES: 1. FT400 LONG TYPICALLY USED WITH CLEAN DRY AIR SUPPLY