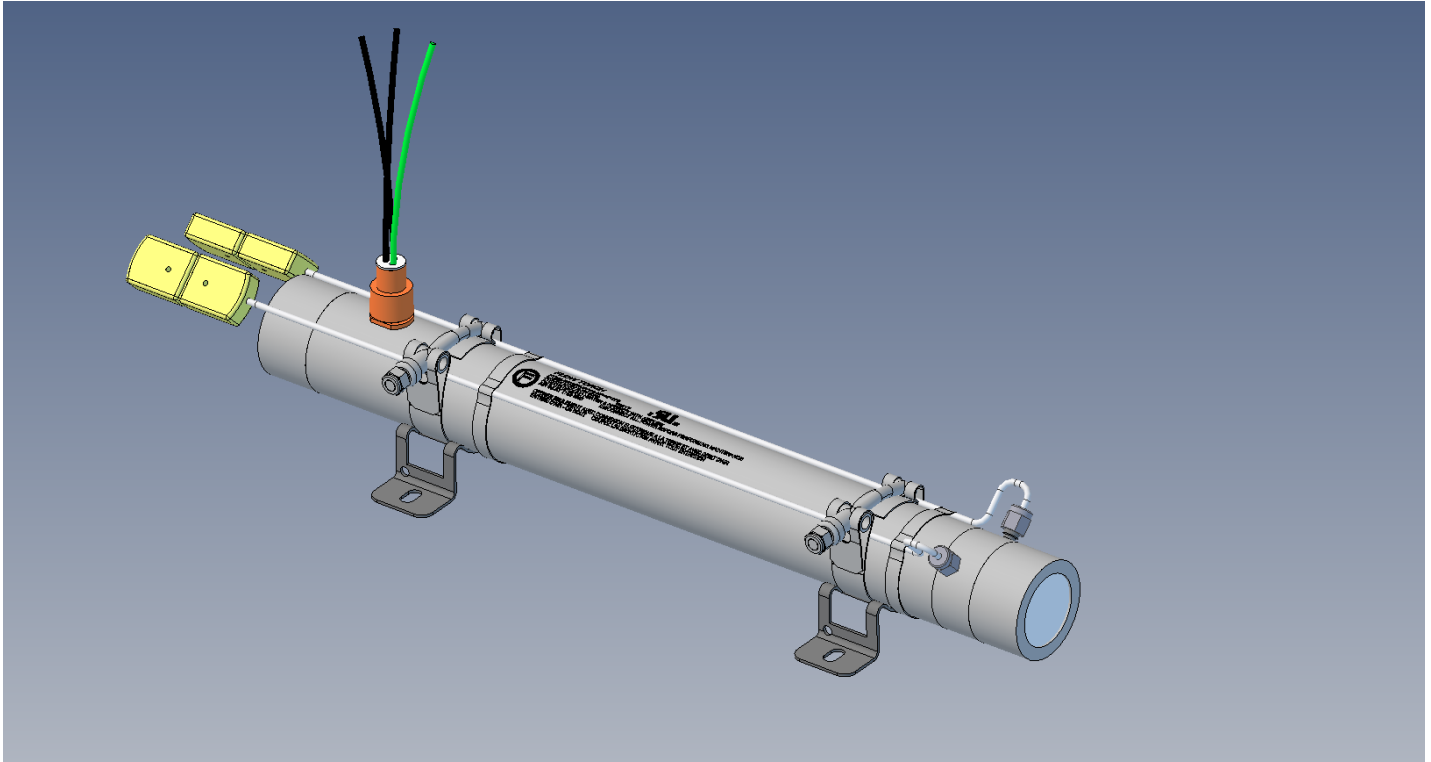


FT200 LONG FLOW TORCH HEATER (mounting feet option shown)



This model can be viewed as a 3D model if opened in Adobe Reader. Simply click the object once - and then rotate, zoom, and pan to explore!