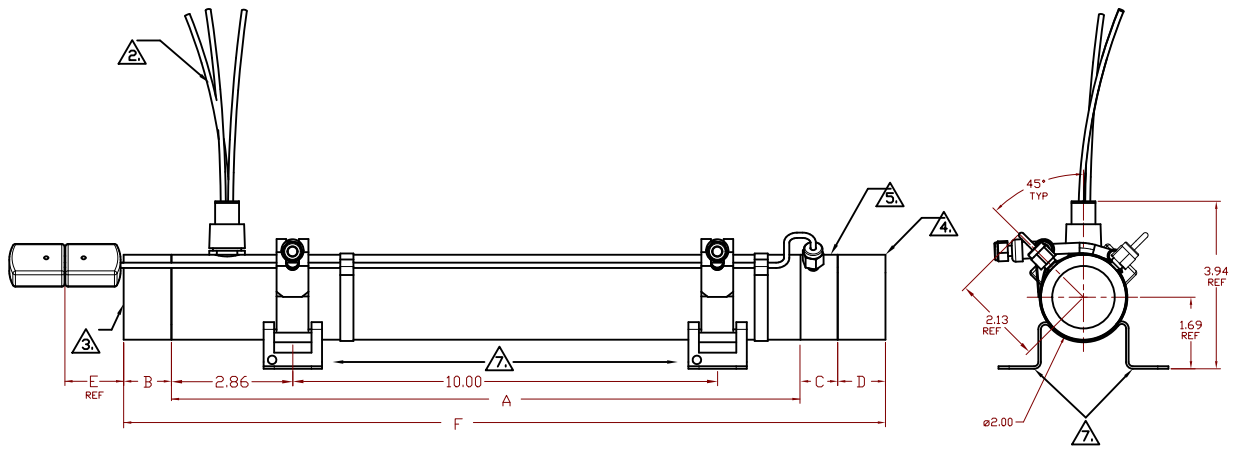
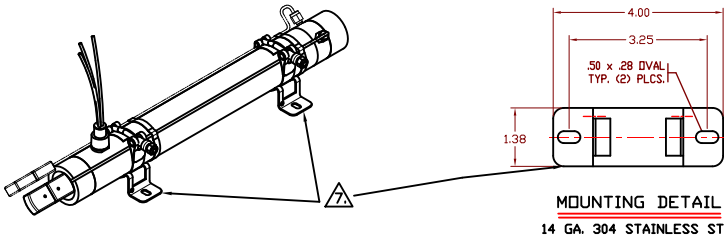


REV	DATE	DESCRIPTION	BY	APP'D
A	11/11/15	WEBSITE RELEASE		MD
B	01/21/16	ADDED NOTES, REARRANGED, NEW TOLERANCE	RLB	DED



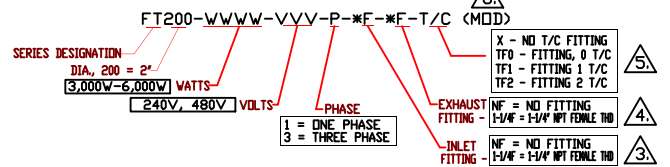
INLET FITTING	A	B	THERMOCOUPLE	C	EXHAUST FITTING	D	E
NF	14.81"	0.094"	YES	0.875"	NF	0.094"	2.216"
1 1/4F	14.81"	1.125"	NO	0	1 1/4F	1.125"	1.185"

$F = A + B + C + D$

- ⚠ OPTIONAL MOUNTING FEET SHOWN.
- ⚠ OPTIONAL MODIFICATION NUMBER IS ASSIGNED FOR CUSTOM CONFIGURATION.
- ⚠ OPTIONAL TYPE K THERMOCOUPLES MAY BE ADDED WITH A THERMOCOUPLE COLLAR (1 OR 2 PROBE CONFIGURATION AVAILABLE)
- ⚠ EXHAUST FITTING OPTIONS ARE: 1-1/4" NPT OR NO-FITTING RING
EXHAUST FITTINGS ARE MADE FROM 303 OR 304 STAINLESS STEEL
- ⚠ INLET FITTING OPTIONS ARE: 1-1/4" NPT OR NO FITTING RING
INLET FITTINGS ARE MADE FROM 303 OR 304 STAINLESS STEEL
- ⚠ LEADWIRE IS 14 GA. BLACK 600V 200C UL1199
STANDARD 18" LEAD

NOTES: 1. USE WITH CLEAN DRY AIR SUPPLY

PART NUMBER CONSTRUCTION



<p>CONFIDENTIAL</p> <p>THIS DOCUMENT CONTAINS PROPRIETARY INFORMATION OF FARNAM CUSTOM PRODUCTS (AND ITS RECEIPT OR POSSESSION DOES NOT CONVEY ANY RIGHTS TO REPRODUCE, DISCLOSE ITS CONTENTS, OR TO MANUFACTURE, USE, OR SELL ANYTHING IT MAY DESCRIBE). REPRODUCTION, DISCLOSURE, OR USE WITHOUT SPECIFIC WRITTEN AUTHORIZATION OF FARNAM CUSTOM PRODUCTS IS STRICTLY FORBIDDEN.</p> <p>APP'D BY: M. DULKEN</p>	<p>THIRD ANGLE PROJECTION</p> <p>ALL DIMENSIONS ARE IN INCHES, UNLESS OTHERWISE SPECIFIED. SCALE: 1:1 DO NOT SCALE DWG.</p>	<p>FARNAM CUSTOM PRODUCTS</p> <p>P.O. BOX 1377 ARDEN, NC 28704 PH: (828) 684-3766 FX: (828) 684-3768</p>
	<p>TOLERANCES XX = ±.000 XXX = ±.005 ANGLES ±1/2°</p>	