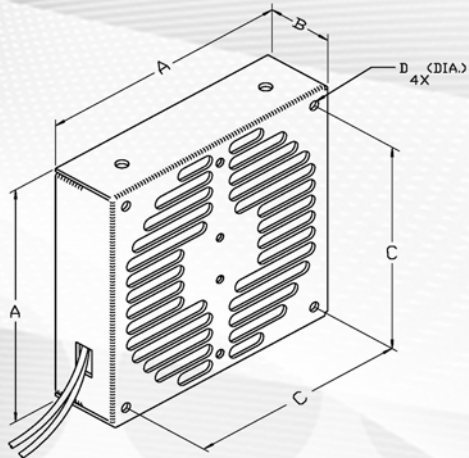


A XIAL FAN HEATER

AF20



- Axial Fan Heaters (Series AF20) mount directly to square axial fans. The AF20 heater housing uses the same mounting holes and functions as a guard for both heaters and fans. (Fans available separately.)
- Axial Fan Heaters are available in several sizes with a broad range of wattages and custom features. They are ideal for drying, curing and warming applications typically found in film processing, lab, and medical instruments.
- UL recognized components under UL file number E154979; both in Canada and the U.S.*



Size	Dim. A	Dim. B	Dim. C	Dim. D
2.4	2.34	1.25	1.97	.166
3.1	3.125	1.25	2.81	.188
4.7	4.68	1.25	4.125	.188

*Thorough testing by the user is necessary to determine if unit will operate as intended. User is solely responsible for the function of the end use product and/or application

Wattage Options

- 2.4"- 15W-175W
- 3.1"- 50W-450W
- 4.7"- 50W-1000W

Voltage Options

- 2.4"- 12V, 24V, 48V, 120V
- 3.1"- 120V, 208V, 240V
- 4.7"- 120V, 208V, 240V

Over-temperature Cutout

- X- Thermostat not required
- 1A- 65°C (149°F)
- 1B- 70°C (158°F)
- 1C- 80°C (176°F)
- 1D- 85°C (185°F)
- 1E- 90°C (194°F)
- 1F- 100°C (212°F)
- 1G- 120°C (248°F)
- 1H- 130°C (266°F)
- 1J- 150°C (302°F)

Note: Optional thermostat is an auto-reset high limit safety device designed to protect against overheating. Not intended for temperature regulation.

Note: Thermostat not approved for DC use.

Fuse/Thermal Fuse

- D- 93°C (199°F)
- F- 104°C (219°F)
- H- 117°C (243°F)
- K- 128°C (262°F)
- L- 152°C (306°F)
- M- 184°C (363°F)
- N- 192°C (377°F)
- R- 229°C (444°F)

Note: Fuse set-point must be a minimum of 25°C above thermostat set-point or routine temperature spike.

Part Number Key

AF20	50	120	1A	D	10	4.7	(XXX)
Axial Fan Heater	Wattage	Voltage	Thermostat	Fuse	Lead Length	Heater Dimension	Modification

ISO
9001:2008
REGISTERED

TUTCO
HEATING SOLUTIONS GROUP

F FARNAM
CUSTOM PRODUCTS

www.farnam-custom.com

Ph: (828) 684-3766 • Fax: (828) 684-3768